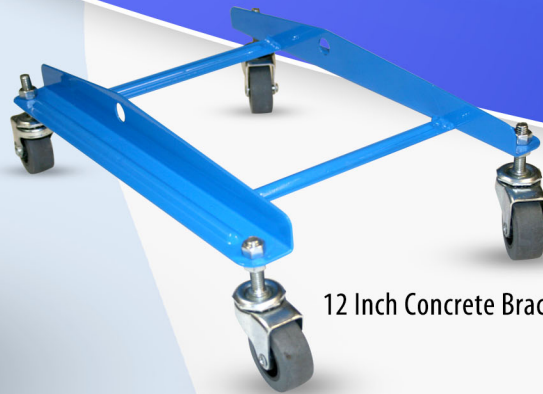


Turbo-Hybrid TH-40

Owners Manual

Specification:

- Designed for cleaning ceramic tile and grout with your truckmount or high pressure portable.
- Brush attachment allows for use on other flooring.
- Cleaning capacity 400 to 1000 square feet per hour depending on build up and texture of surface.
- Lightweight but solid, resistant to impact.
- Stainless steel handle with fiber reinforced shell.
- Extra long life boot with NEW brush attachment.
- Operating pressure range 650 to 2500 psi.
- Water temp. up to 230°
- Comfort grip non-slip handle
- Patented automatic vacuum compensator leaves the floor drier.



12 Inch Concrete Bracket Attachment (optional)

**TF TURBO
FORCE**
INTERNATIONAL

John 14:6

turbo-force.com

7905 N. 71st Ave. Glendale, AZ 85303