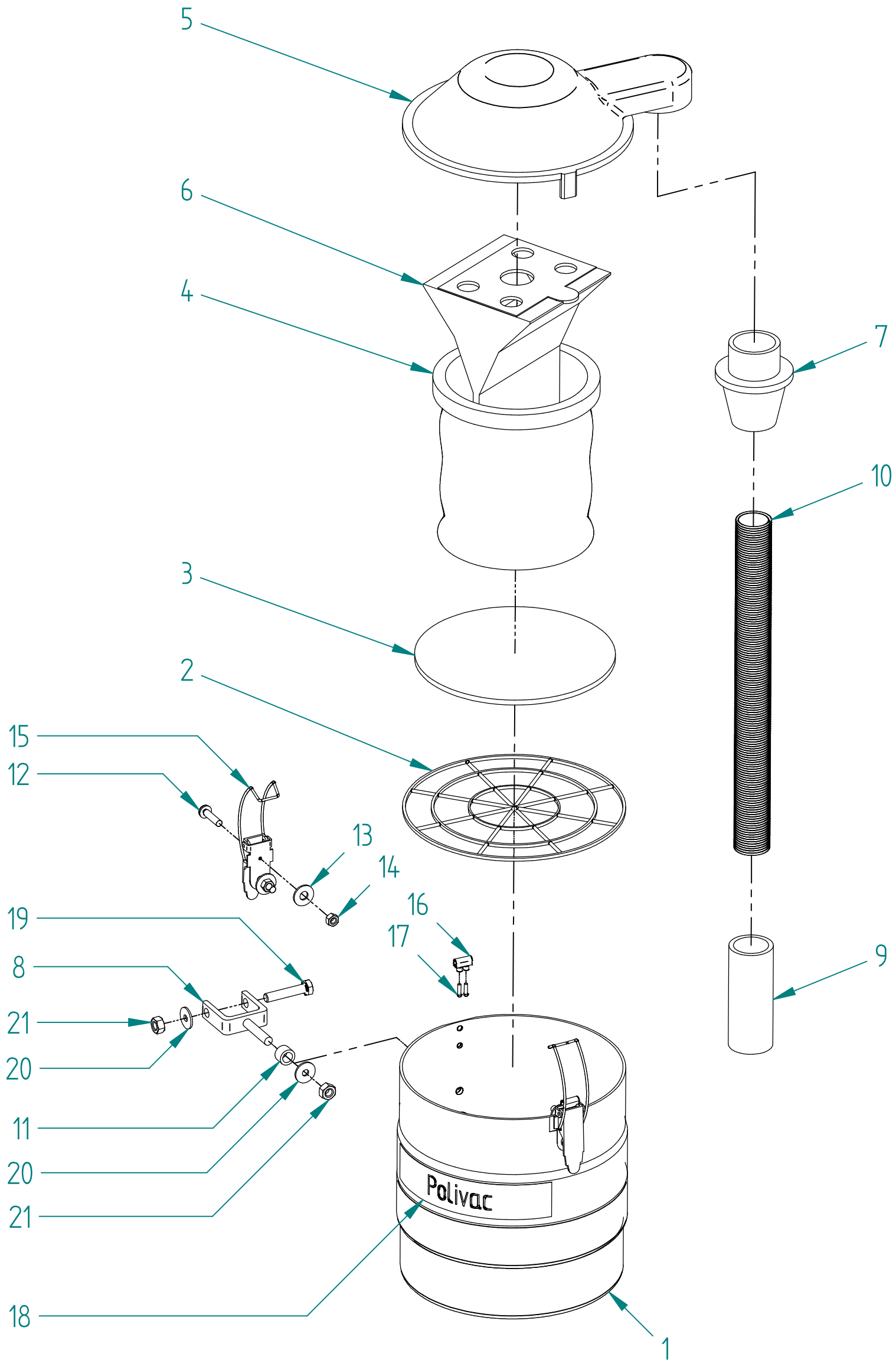


# Hospital Tank

## Drive & Base Assembly



# Hospital Tank

## Part List

No	Code	Description
1		Cannister(Not available as spare parts)
2	BV9004	Filter Bag Stand
3	BV9001	Filter Disk
4	BV9003	Dust Bag
5	BV9000	Lid
6	HFB001	Disposal Bag
7	VVA336	Adapter Swivel Hose End
8	VPA879	Bracket U-Thread
9	PVS095	Hose Cuff 32-38mm
10	PVS121	Hose PVC 32mmID X 41mmOD
11	206784	Spacer
12	PPR098	Pan Head SS M4 X 16
13	PVT025	Washer SS 5/32 X 3/8
14	PPR095	Nyloc Nut M4
15	PW013	Lid Fastner Metal
16		
17	AAK044	Rivet 1/8" Sealed
18		
19	PVS007	1/4 BSW X 2-1/4 Bolt Zinc
20	AAG236	Washer 1/4X5/8 Zinc
21	AAF140	Nyloc Nut 1/4 UNC