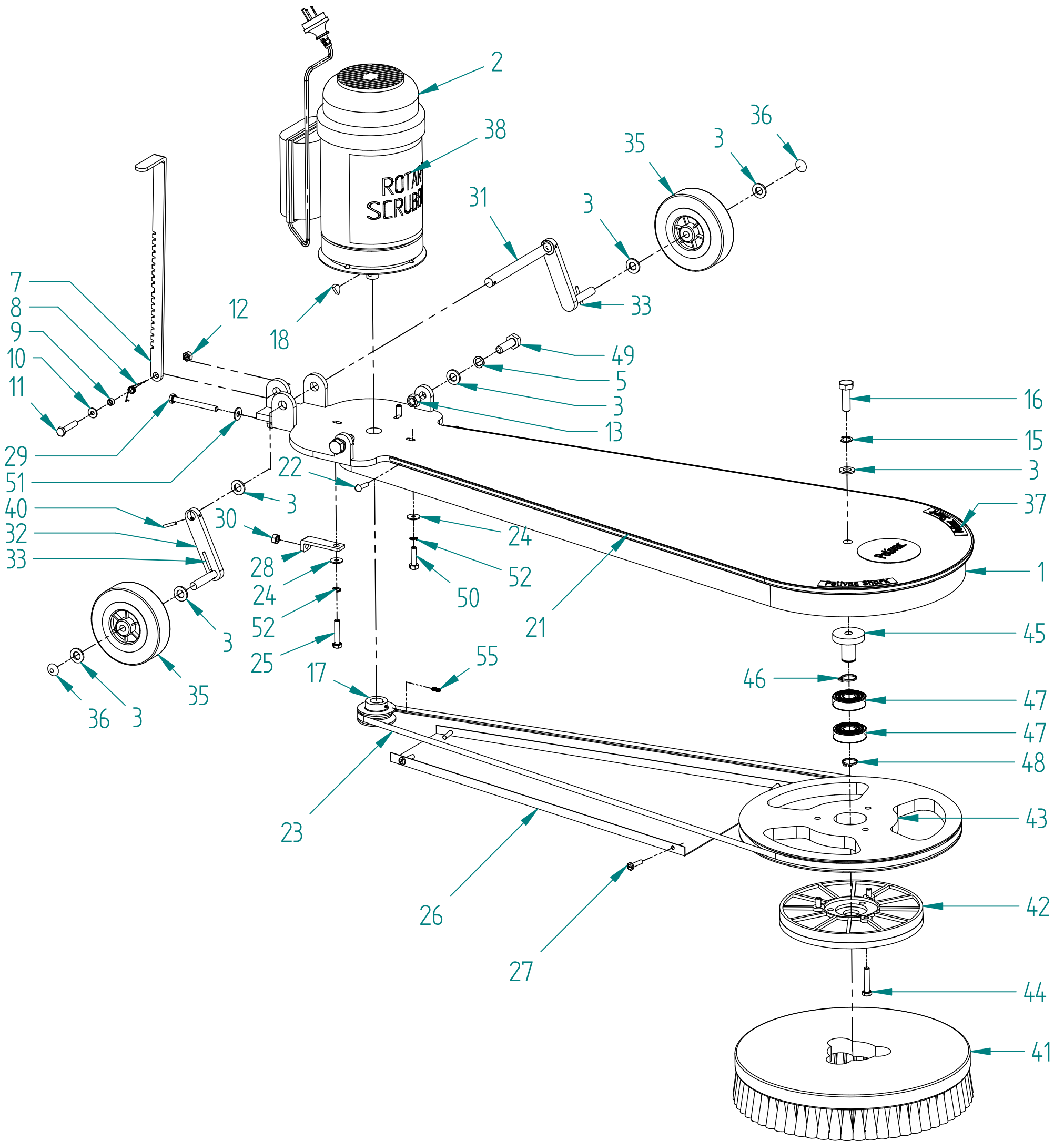


# Rotary Scrubber - Shark Base Assembly



## Rotary Scrubber - Shark

### Drive & Base Assembly - Part List

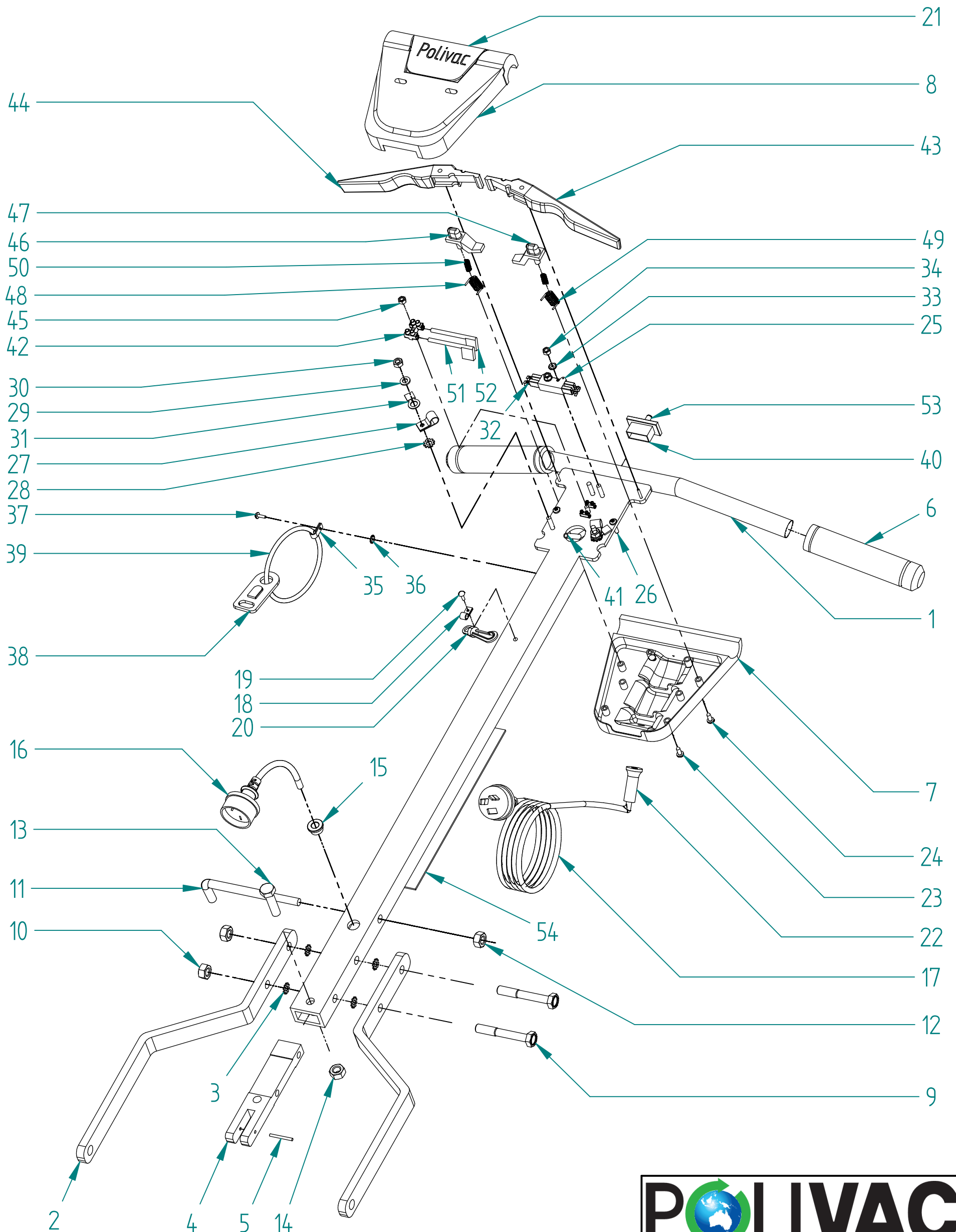
No	Code	Description
1	SK028	Body
2	SK009	Motor
3	AAG470	Washer 1/2" x 1" Zinc Bright
5	GAS054	Washer Spring 1/2" x 3/16"
7	SK016	Ratchet Lever
8	SLB028	Torsion Spring
9	VPA782	Spacer
10	AAG385	Washer 5/16" x 7/8" 16G Z/P
11	AAD061	Bolt 5/16" x 1.1/2" Zinc
12	SLB043	Nut Nyloc 5/16" UNC
13	SLB045	Nut Nyloc 1/2" BWNN
15	GAS054	Washer Spring 1/2" x 3/16" x 1/8"
16	SLB034	Bolt 1/2" x 1" Zinc
17	SK005	Drive Pulley
18	SLB011	Key 3/16" x 1/4"
21	PPR002	1455mm Continental Trim
22	SLB035	Pop Rivet
23	SK003	Drive Belt
24	AAG365	Motor Washer
25	SK006	Motor Bolt
26	SK040	Splash Guard
27	AAB608	6 AB x 3/8" SLF TAPPH x REC Screw
28	SLB004	Tension Bracket
29	SLB030	1/4" x 2 1/2" Set Screw
30	SLB031	1/4" Nut
31	SK018	Wheel Axle

# Rotary Scrubber - Shark Drive & Base Assembly - Part List

No	Code	Description
32	SK017	Wheel Bracket
33	VPA829	Pin-Wheel Retain
35	VPA571	Wheel
36	GCA292	Ratchet Cap
37	SK050	Polivac Shark Label " Curved"
38	LAB001	Motor Label
40	VPA829	Pin Spring Plated 5/32"x7/8"
41	PC40A1	40 cm Abrasive Brush
42	VPA412	Provac Quick Release
43	SK002	Pulley
44	STR055	Screw 5/16" x 1" ZP MS CSK CAP Head
45	SK027	Spindle
46	GAS031a	Circlip
47	VPV230	Bearings
48	GAS031b	Circlip
49	SLB044	Bolt 1/2" x 1.3/4" Zinc
50	GAS049	Bolt
51	AAG236	Washer
52	GAS045	Spring Washer
55	SLB036	Grub Screw

# Rotary Scrubber - Shark / Stingray / Dominator

## SK034C Handle



# Rotary Scrubber - Shark / Stingray / Dominator

## SK034C Handle - Part List

No	Code	Description
1	VPV611	Handle Stem
2	SK034A	Fork
3	AAJ460	Star Washer
4	VPA231	Tongue Assy
5	VPA821	Roll Pin
6	VPV605	Handle Grips
7	VPV601	Rear cover
8	VPV600	Front Cover
9	AAD039	Bolt
10	AAF140	Nut Nyloc 1/4" UNC
11	VPA765	Lead Hook
12	AAF140	Nut Nyloc 1/4" UNC
13	AAD041	Bolt
14	AAF140	Nut Nyloc 1/4" UNC
15	VPA841	Grommet
16	VPA618	Stem Lead Assy
17	VPV475	Mains Lead Assy (15m)
18	PVS070	Plastic Clamp
19	AAK829	Pop Rivet
20	VPV120	Dust Bag Hook
21	VPV607	Polivac Handle Label
22	ECG157	Lead Protector
23	AAA523	Screw
24	AAA522	Screw
25	VPA631	Cherry Switch
26	AAA525	Screw

# Rotary Scrubber - Shark / Stingray / Dominator

## SK034C Handle - Part List

<b>No</b>	<b>Code</b>	<b>Description</b>	<b>No</b>	<b>Code</b>	<b>Description</b>
27	VPA622	Clamp	53	ZDR078	Neon Indicator
28	AAJ451	Star Washer	54	VPV562	Label
29	AAG150	Washer			
30	AAE271	Nut			
31	AAM702	Earth Terminal			
32	AAM704	Flag Terminal			
33	AAJ002	Star Washer			
34	AAE200	Nut HVHD 1/8" ZP Pressed			
35	VVA019	Clamp			
36	AAJ451	Star Washer			
37	AAK829	Pop Rivet			
38	BV8003	Strain Relief			
39	BV8004	'O' Ring			
40	VPA639	Cap			
41	VPA926	Sleeve Insulation			
42	AAM601	Terminal Block			
43	VPV602	Left Trigger			
44	VPV603	Right Trigger			
45	AAE200	Nut HVHD 1/8" ZP Pressed			
46	VPV604R	Safety Button Right			
47	VPV604L	Safety Button Left			
48	VPA632R	Spring Right			
49	VPA632L	Spring Left			
50	VPV606A	Spring			
51	VPA626	Blue Wire			
52	VPA628	Brown Wire			

# WARRANTY POLICY

1. When a warranty repair is requested, the purchaser must first contact any of Polivac's authorized Service Centres with proof of purchase and details of the alleged defect. In most instances, the request for warranty brought to the attention of our Service Centres or Agents is handled in a prompt routine manner with no question as to its validity. However, some requests for warranty are not justified. In these cases, product owners will be made aware that the premature failure of their product was the result of a cause not covered by Warranty.
2. The Polivac warranty covers only DEFECTIVE MATERIAL and/or DEFECTIVE WORKMANSHIP. It does not cover labour.
3. Polivac products are warranted for twelve (12) months from date of purchase by the original purchaser against faulty workmanship or material. The warranty covers only the replacement, repair or adjustment of any part which in the opinion of Polivac fails because of a fault in materials or workmanship:
  - a) drive motors and gearbox assemblies on electrical products carry a two (2) years warranty
  - b) bodies of carpet extraction products and vacuum cleaners carry a three (3) years conditional warranty.
  - c) battery warranty of twelve (12) months is as provided by the manufacturer. Terms available on request.
4. Where the product has been rented out by a Hire or similar company, the warranty period is reduced to three (3) months.
5. This warranty does not cover service calls, travelling time or consumable parts - e.g. drive belts, chains, flexible skirts or hoses, dust bags, mains leads, brushes, buffers, buffer strips, sanding discs, light bulbs, nozzles, filters, pressure pumps, piston seals, diaphragms, squeegees and like items.
6. In the case of proprietary components used by the manufacturer in the product, such as engines, electrical motors, chargers and the like, Polivac will pass on any warranty provided by the manufacture of such items.
7. Accidental damage, abuse, misuse or neglect of the product is not covered by warranty.
8. Fair wear and tear and where the product has been used other than for the purpose for which it was designed is not covered by warranty.
9. Use of non-approved chemicals and detergents in the product will void the warranty.
10. Products that have been modified are not covered by warranty.
11. Products that have not been serviced at their recommended intervals by an authorised Polivac Service Centre or Agent are not covered by warranty
12. Damage to, or failure of, the product which has resulted from low or high voltage, the use of an incorrectly sized extension lead, or a coiled electrical extension lead is not covered by warranty.
13. Repairs carried out on the product by any person other than an authorized Polivac repairer will void the warranty.
14. All freight charges to and from the manufacturer, agent or service centre will be the responsibility of the distributor.
15. A charge for traveling time and labour will be applicable for on-site warranty service.
16. Polivac reserves the right to replace defective parts of the product with parts or components of similar quality, grade and composition where an identical part or component is not available. Goods presented for repair may be replaced by refurbished goods of the same type rather than being repaired.

**POLIVAC WARRANTY IS SUBJECT TO THE LAWS AND REGULATIONS OF THE INDIVIDUAL STATES AND COMMONWEALTH TERRITORIES OF AUSTRALIA. THIS WARRANTY IS NOT TRANSFERRABLE.**

